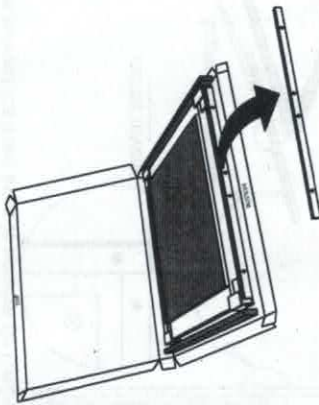


# ASSEMBLY INSTRUCTION

## STEP 1

Draw out mirror support (B) from the carton box.



MODEL: C8311A/B/L/C8321A/  
B81138A/ B8337A/ CS2249/ CS2349  
**DRESSER & MIRROR**  
**(Box 1)**  
BOX OF MIRROR

NO	ITEM	Qty
A	MIRROR	1 PC
B	MIRROR SUPPORT BAIL	2 PCS

## (Box. 2)

NO	ITEM	Qty
C	DRESSER	1 PC

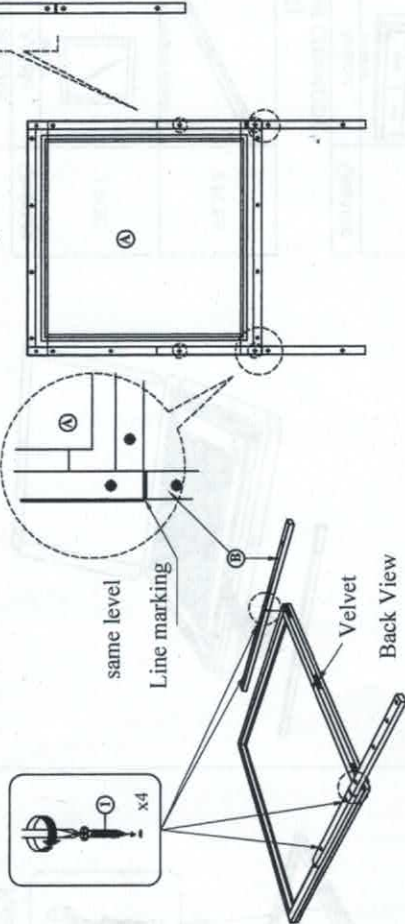
## (Box. 1)

HARDWARE LIST		
NO	ITEM	Qty
1	Flat Head Phillips Screw 4x30mm 1/4"	8 PCS

## STEP 2 :

Align & fasten mirror support (B) to the back of mirror (A) using Csk Screw (1).  
Note : Make sure the marking of the mirror support (B) must in same level as the bottom frame as shown.

Secure the Screw by following the holes with indicator number as shown.

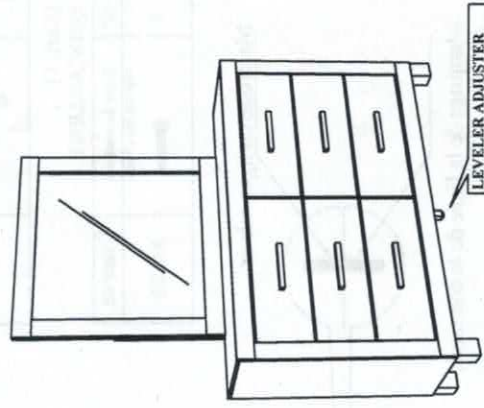
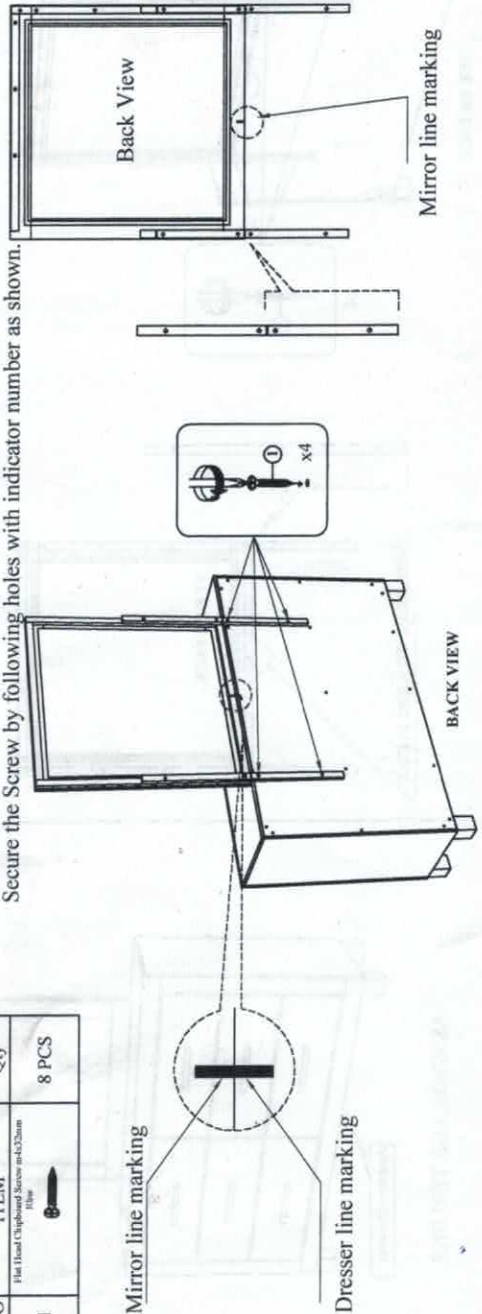


## STEP 3 :

Place mirror (A) on top of dresser (C). Align & fasten mirror support (B) to the back of dresser (C) using Csk Screw (1) with Srew with screw driver.(NOT PROVIDED)

Note : Make sure marking mirror must align with the dresser marking as shown.

Secure the Screw by following holes with indicator number as shown.



COMPLETED ASSEMBLY

NOTE : MUST TIGHTEN SCREWS PERIODICALLY WITH USE SCREW WILL BECOME LOOSE CHECK TIGHTNESS OF ALL SCREW EVERY 6-8 WEEKS.